

**NOW AVAILABLE
WITH COLD CURED FOAM**



AIR Technology

The SUMMIT Series of chairs features a **Molded Cold Cured Foam (CCF)** seat cushion.

“Air-Pockets”, strategically placed throughout the cushion provide outstanding comfort, and performance (seat holds its shape).

“Cold Cured” or “Molded Foam” seats cushions are traditionally only available on fixed theatre seats & car seats. ComforTek Seating is pleased to offer this technology on our entire Sanctuary line of chairs.

Molded CCF cushions are covered by an extended **15 Year Warranty**.

Available Models: 7701-20” / 7711-20” / 7721-20”

Ascetic to Majestic

“Lifting the Joy of Worship”



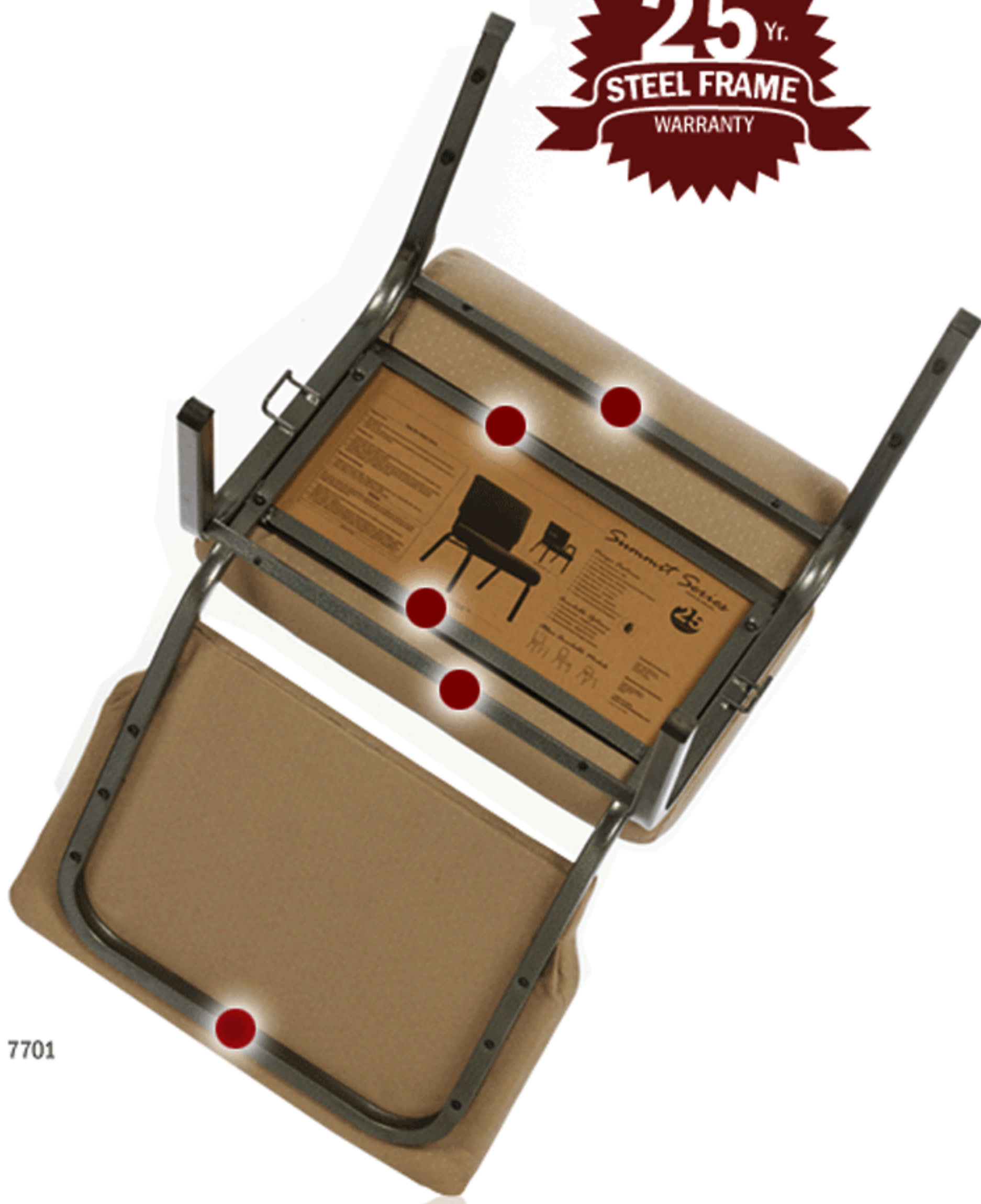
www.comfortekseating.com

1.888.678.2060



**5 STEEL CROSS MEMBERS
FOR UNSURPASSED LATERAL STABILITY**

**25^{Yr.}
STEEL FRAME
WARRANTY**



7701



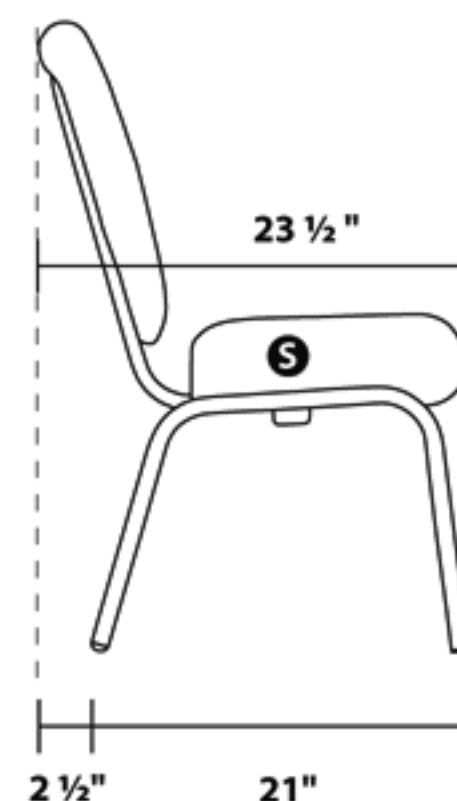
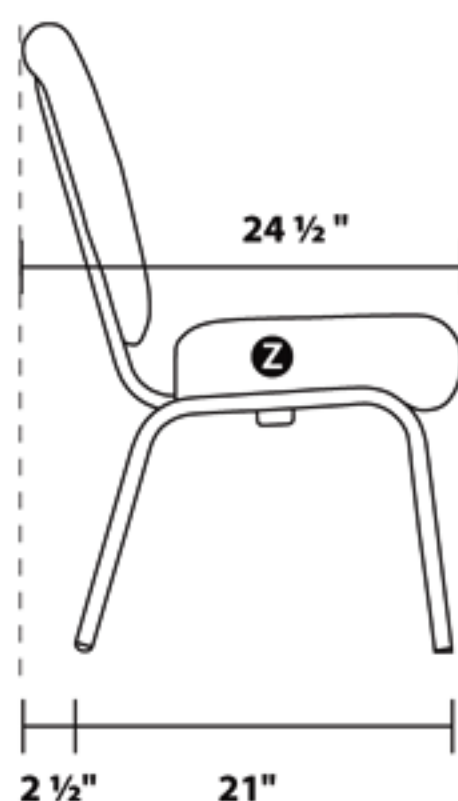
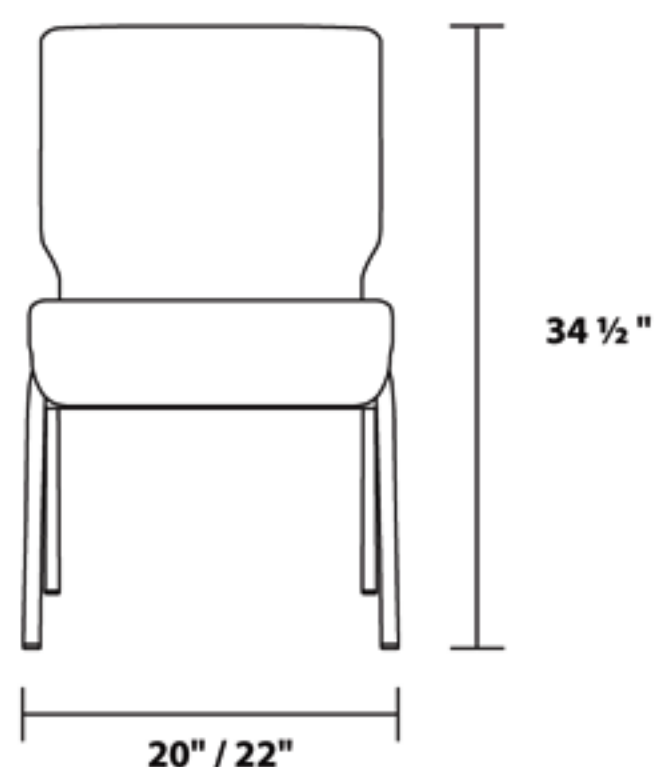
7701 Frame

“Lifting the Joy of Worship”



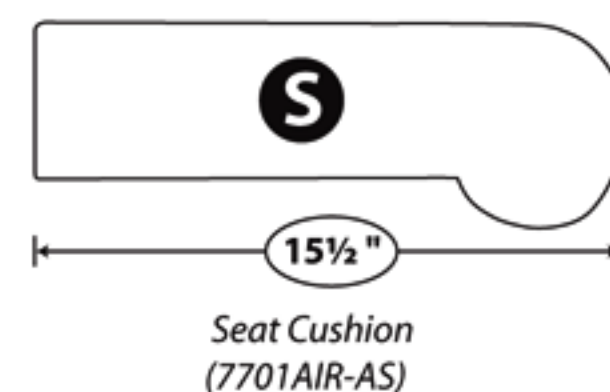
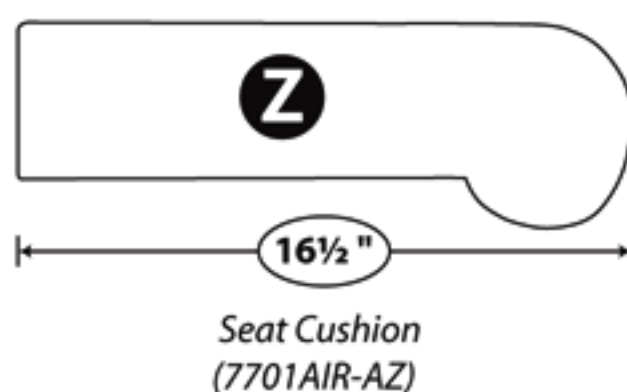
www.comfortekseating.com
1.888.678.2060





These measurements are provided for your information and reference ONLY. ComforTek Seating does not recommend or suggest spacing for any project.

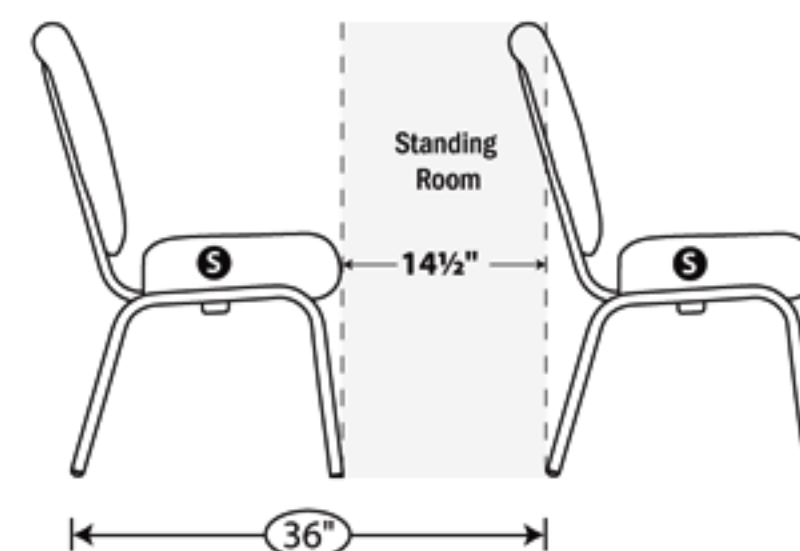
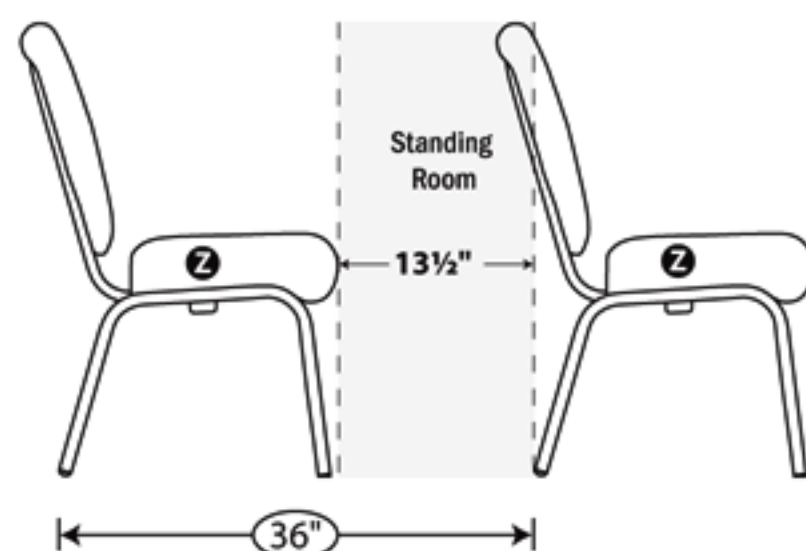
Please consult with your local builder, architect or building code to determine spacing requirements for your jurisdiction.



Frame Width Floor Foot Print

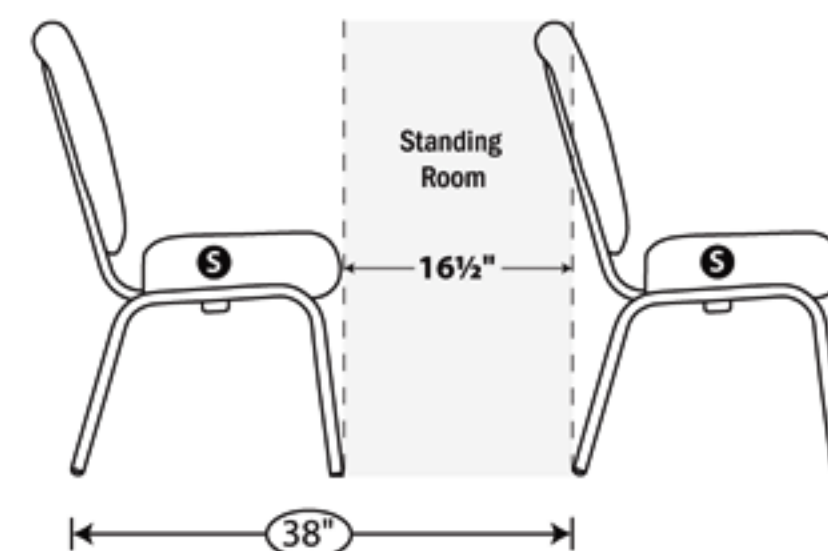
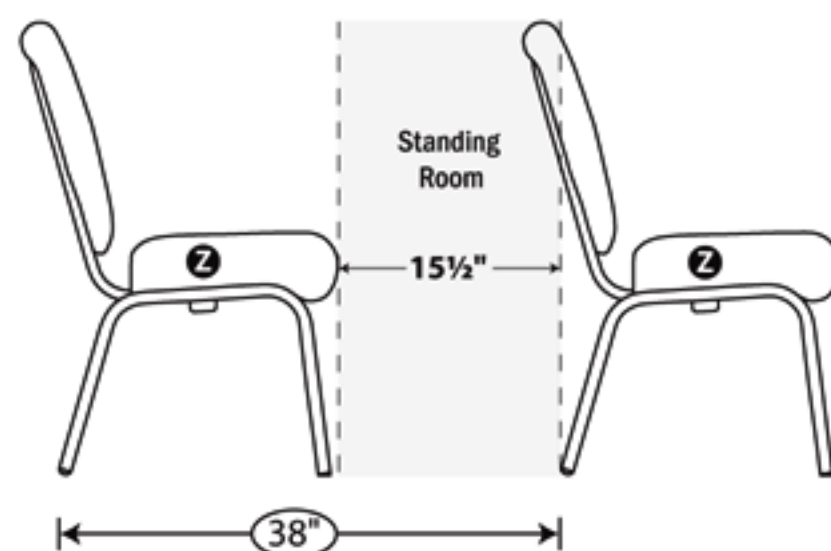
Layout 1 (Side Step)

20" @ 36" = 5.0 sq ft
22" @ 36" = 5.5 sq ft



Layout 2 (Walk)

20" @ 38" = 5.27 sq ft
22" @ 38" = 5.80 sq ft



Layout 3 (Pass By)

20" @ 40" = 5.55 sq ft
22" @ 40" = 6.11 sq ft

